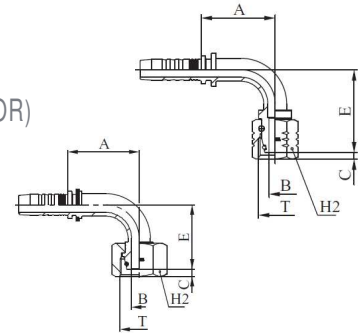


M21692

HEMBRA MÉTRICA O-RING CODO 90° AST.24º SERIE PESADA DIN 2066 ISO 12151-2 (TUERCA PASADOR)

M21693

HEMBRA MÉTRICA O-RING CODO 90° AST.24º SERIE PESADA DIN 2066 ISO 12151-2 (TUERCA LIBRE)



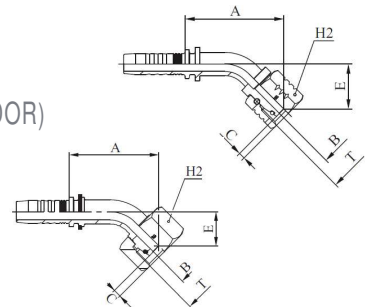
| REF. | DIÁMETROS DE MANGUERA | | | ROSCAS | TUBO | DIMENSIONES | | | | |
|--------------|-----------------------|----------|--------|----------|------|-------------|------|-----|------|----|
| | DN | Pulgadas | Tamaño | | | T | mm | B | A | C |
| M21693-03-14 | 5 | 3/16" | - 03 | M 14x1,5 | 6 | 3,0 | 26,0 | 3,5 | 30,0 | 17 |
| M21693-03-16 | 5 | 3/16" | - 03 | M 16x1,5 | 8 | 3,0 | 26,0 | 3,4 | 29,5 | 19 |
| M21693-04-14 | 6 | 1/4" | - 04 | M 14x1,5 | 6 | 3,0 | 29,5 | 3,5 | 32,5 | 17 |
| M21693-04-16 | 6 | 1/4" | - 04 | M 16x1,5 | 8 | 4,0 | 29,5 | 3,4 | 29,5 | 19 |
| M21693-04-18 | 6 | 1/4" | - 04 | M 18x1,5 | 10 | 4,0 | 29,5 | 3,0 | 31,0 | 22 |
| M21693-04-20 | 6 | 1/4" | - 04 | M 20x1,5 | 12 | 5,5 | 29,5 | 2,5 | 34,5 | 24 |
| M21693-05-18 | 8 | 5/16" | - 05 | M 18x1,5 | 10 | 4,0 | 32,0 | 3,0 | 33,5 | 22 |
| M21693-05-20 | 8 | 5/16" | - 05 | M 20x1,5 | 12 | 5,5 | 32,0 | 2,5 | 34,0 | 24 |
| M21692-06-18 | 10 | 3/8" | - 06 | M 18x1,5 | 10 | 4,0 | 35,5 | 3,9 | 42,5 | 22 |
| M21693-06-20 | 10 | 3/8" | - 06 | M 20x1,5 | 12 | 7,0 | 36,5 | 2,5 | 35,0 | 24 |
| M21693-06-22 | 10 | 3/8" | - 06 | M 22x1,5 | 14 | 7,0 | 36,5 | 3,0 | 37,0 | 27 |
| M21693-06-24 | 10 | 3/8" | - 06 | M 24x1,5 | 16 | 9,3 | 36,5 | 3,0 | 36,0 | 30 |
| M21692-08-22 | 12 | 1/2" | - 08 | M 22x1,5 | 14 | 7,0 | 44,0 | 2,5 | 48,5 | 27 |
| M21693-08-24 | 12 | 1/2" | - 08 | M 24x1,5 | 16 | 9,3 | 45,0 | 3,0 | 40,5 | 30 |
| M21693-08-30 | 12 | 1/2" | - 08 | M 30x2 | 20 | 12,5 | 45,0 | 3,5 | 44,5 | 36 |
| M21692-10-24 | 16 | 5/8" | - 10 | M 24x1,5 | 16 | 9,3 | 55,0 | 4,0 | 60,0 | 30 |
| M21693-10-30 | 16 | 5/8" | - 10 | M 30x2 | 20 | 12,5 | 51,5 | 3,5 | 57,5 | 36 |
| M21692-12-30 | 19 | 3/4" | - 12 | M 30x2 | 20 | 12,5 | 61,5 | 2,2 | 67,5 | 36 |
| M21693-12-36 | 19 | 3/4" | - 12 | M 36x2 | 25 | 15,0 | 61,5 | 4,5 | 64,5 | 41 |
| M21692-16-36 | 25 | 1" | - 16 | M 36x2 | 25 | 15,0 | 79,5 | 1,7 | 86,0 | 41 |
| M21693-16-42 | 25 | 1" | - 16 | M 42x2 | 30 | 19,8 | 79,0 | 6,3 | 74,5 | 50 |
| M21693-20-52 | 31 | 1.1/4" | - 20 | M 52x2 | 38 | 26,0 | 93,5 | 8,0 | 85,5 | 60 |
| M21692-24-52 | 38 | 1.1/2" | - 24 | M 52x2 | 38 | 24,7 | 91,5 | 8,8 | 95,5 | 60 |

M21642

HEMBRA MÉTRICA O-RING CODO 45° AST.24º SERIE PESADA DIN 2066 ISO 12151-2 (TUERCA PASADOR)

M21643

HEMBRA MÉTRICA O-RING CODO 45° AST.24º SERIE PESADA DIN 2066 ISO 12151-2 (TUERCA LIBRE)



| REF. | DIÁMETROS DE MANGUERA | | | ROSCAS | TUBO | DIMENSIONES | | | | |
|--------------|-----------------------|----------|--------|----------|------|-------------|-------|-----|------|----|
| | DN | Pulgadas | Tamaño | | | T | mm | B | A | C |
| M21643-04-14 | 6 | 1/4" | - 04 | M 14x1,5 | 6 | 3,0 | 38,5 | 3,5 | 17,5 | 17 |
| M21643-04-16 | 6 | 1/4" | - 04 | M 16x1,5 | 8 | 4,0 | 36,0 | 3,4 | 15,0 | 19 |
| M21643-04-18 | 6 | 1/4" | - 04 | M 18x1,5 | 10 | 4,0 | 37,5 | 3,0 | 16,5 | 22 |
| M21643-05-18 | 8 | 5/16" | - 05 | M 18x1,5 | 10 | 4,0 | 42,5 | 3,0 | 18,0 | 22 |
| M21643-05-20 | 8 | 5/16" | - 05 | M 20x1,5 | 12 | 5,5 | 42,5 | 2,5 | 18,5 | 24 |
| M21642-06-18 | 10 | 3/8" | - 06 | M 18x1,5 | 10 | 4,0 | 49,0 | 3,9 | 23,0 | 22 |
| M21643-06-20 | 10 | 3/8" | - 06 | M 20x1,5 | 12 | 7,0 | 45,0 | 2,5 | 18,0 | 24 |
| M21643-06-22 | 10 | 3/8" | - 06 | M 22x1,5 | 14 | 7,0 | 46,5 | 3,0 | 19,5 | 27 |
| M21642-08-22 | 12 | 1/2" | - 08 | M 22x1,5 | 14 | 7,0 | 57,5 | 2,5 | 25,5 | 27 |
| M21643-08-24 | 12 | 1/2" | - 08 | M 24x1,5 | 16 | 9,3 | 52,5 | 3,0 | 20,0 | 30 |
| M21643-10-30 | 16 | 5/8" | - 10 | M 30x2 | 20 | 12,5 | 65,5 | 3,5 | 29,5 | 36 |
| M21642-12-30 | 19 | 3/4" | - 12 | M 30x2 | 20 | 12,5 | 76,5 | 2,2 | 34,0 | 36 |
| M21643-12-36 | 19 | 3/4" | - 12 | M 36x2 | 25 | 15,0 | 75,0 | 4,5 | 32,5 | 41 |
| M21642-16-36 | 25 | 1" | - 16 | M 36x2 | 25 | 15,0 | 98,0 | 1,7 | 43,5 | 41 |
| M21643-16-42 | 25 | 1" | - 16 | M 42x2 | 30 | 19,8 | 90,0 | 6,3 | 35,5 | 50 |
| M21643-20-52 | 31 | 1.1/4" | - 20 | M 52x2 | 38 | 26,0 | 103,0 | 8,0 | 39,5 | 60 |